

SY-03B DK Syringe Pump



- SY-03B Dk series product is a kind of micro-syringe pump with multiple syringes working in parallel in high precision developed by Runze Fluid.
- Use a stepper motor to drive the syringe and the valve to aspirate and dispense quantitative liquid.
- Fully programmable pump module with open framework, which handling fluids from microliters to milliliters with extraordinary accuracy and precision. With functions in automatic pipetting, dilution and dispensing.
- Controlled by an external computer or microprocessor.

ZSB-SY03B DK - 60 - T1 - Z - PPS

Model No. Rated Stroke 60mm Configuration Solenoid valve Valve material

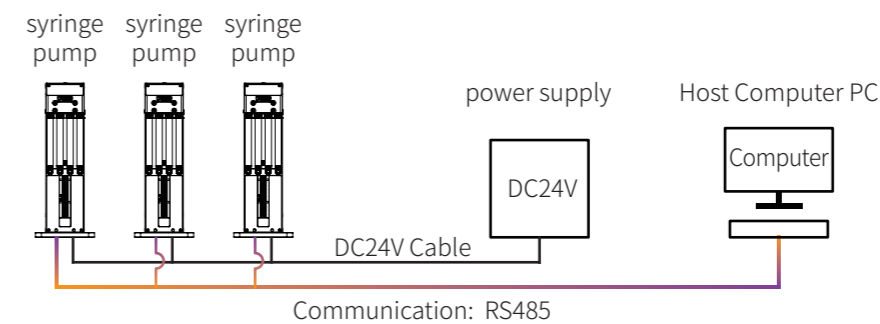
①	T1 1-port	②	Z without Solenoid valve	③	PPS Valve material PPS
	T2 2-port		F with Solenoid valve		PEEK Valve material PEEK
	T4 4-port				
	T6 6-port				
	T8 8-port				

Technical Parameter (ASCII Code)

Accuracy	≤1%@100% rated stroke
Precision (Repeatability)	0.3%~0.5%@100% rated stroke
Rated stroke (control steps)	60mm(6000 steps standard mode; 48000 steps micro-step mode)
RPM Range	0.1rpm ~ 333rpm
Linear speed	0.01mm/s ~ 100mm/s(media: water ; 1 rated stroke=one time)
Running time (per rated stroke)	1.8s ~ 6000s(media: water ; 1 rated stroke=one time)
Resolution	0.01mm (per step)
Valve Type	Solenoid valve
Syringe configuration	25μl, 50μl, 100μl, 250μl, 500μl, 1ml, 1.25ml, 2.5ml, 5ml
Wetted material	Borosilicate glass, PTFE, FKM, PEEK(PPS)
Max. Pressure Rating	0.2Mpa
Actuator	Trapezoidal screw (Lead 6mm)
Connection	1/4-28UNF
Baud rate	RS232/RS485: 9600bps, 38400bps
Communication address	Up to 15 individual addresses can be provided
Firmware	Programmable acceleration/deceleration, termination of movement, programmable piston speed, diagnostic query error, programmable clearance compensation, absolute position or relative position, change speed on the fly, programmable Non-Volatile Memory
Power supply	DC24V/3A
Operating temperature	5°C~55°C
Operating humidity	<80% relative humidity, non-condensing
Dimension (L*W*H)	65*150*261.3mm
Net weight	2.2kg

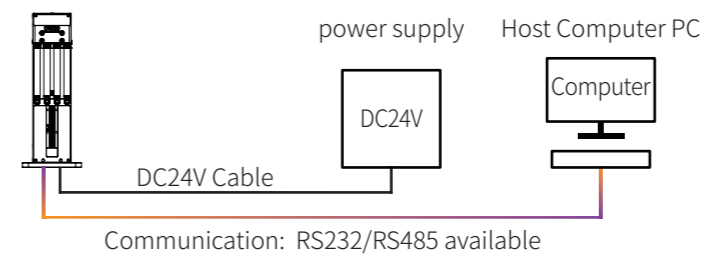
Wiring Diagram

Multiple syringe pumps controlled in parallel

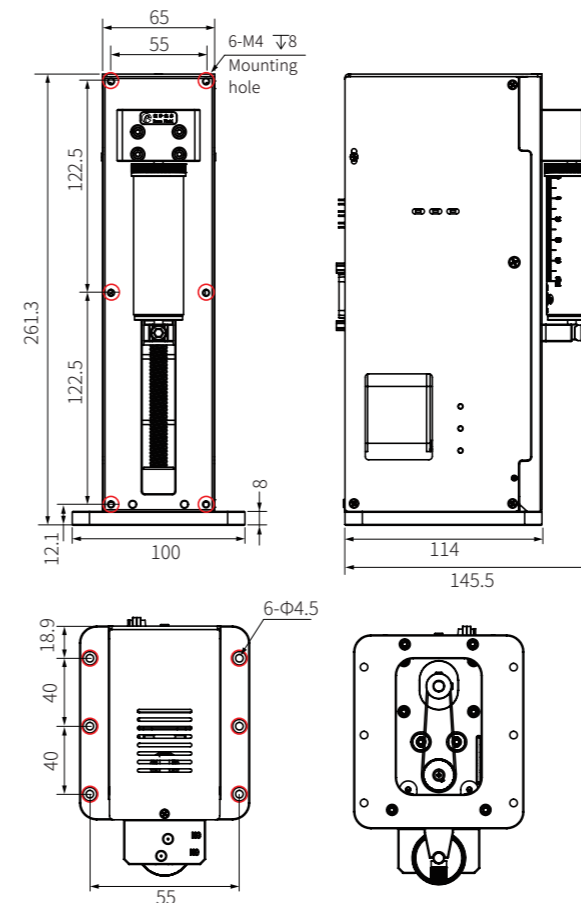


Single controlled

syringe pump



Dimension (unit: mm)



Product Structure

