

# Smart SV-04B Injector Valve



- Back and forth switching of two positions
- Runze patented product, sapphire valve rotor and stator, which resist to corrosion, high-pressure, high-temperature and high wear resistance, biocompatible and suitable for a variety of special media
- Small footprint suits limited spaces
- Available with 6, 8, 10 ports and 1.2mm orifice
- Supports multiple communication: RS232/RS485/CAN bus
- High efficiency and maintenance-free
- Low pressure injectors are available with fittings for tubing OD1.6/2.0/2.5/3.0/3.175/3.2mm

**QHF-SV04B - X - T6 - K1.2 - S**

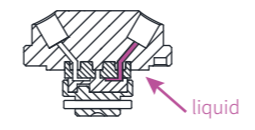
Model No.      Slope valve head      Configuration      Orifice 1.2mm      Sapphire

T6	6-port
T8	8-port
T10	10-port

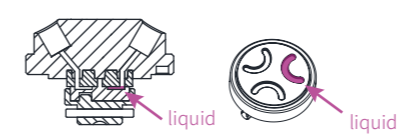
## Technical Parameter

Configuration	6-port	8-port	10-port
Flow Passage Diameters	1.2mm		
Dead Volume	Port-to-Port 28.121μl Rotor slot Volume 5.207μl	Port-to-Port 28.67μl Rotor slot Volume 5.756μl	Port-to-Port 28.129μl Rotor slot Volume 5.215μl
Wetted material	PCTFE, Sapphire rotor/stator		
Pressure rating	0-0.3Mpa (air) / 0-0.6Mpa (water)		
Origin detection	Auto reset to initial position when powered on (this function can be opened or closed)		
Liquid temperature	0-150°C		
Connection	1/4-28UNF		
Replaceable parts	Stator replaceable, sealed rotor irreplaceable		
Transposition	Random start to any specific port		
Driver	Non-optional		
Valve drive	≤4s/circle		
Baud rate	RS232/RS485: 9600bps, 19200bps, 38400bps, 57600bps, 115200bps CAN: 100Kbps, 200Kbps, 500Kbps, 1Mbps		
Address & Parameter setting	Via communication		
Power supply	DC24V/1A		
Power	22W		
Operating temperature	0°C~+50°C		
Operating humidity	<80% relative humidity, non-condensing		
Dimension (L*W*H)	63.7*50.4*115.2mm		
Net Weight	0.437kg		

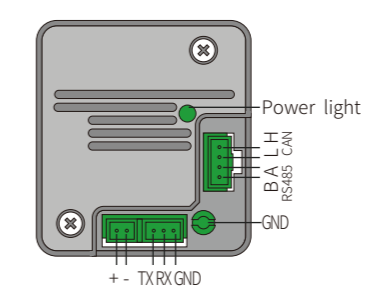
### Port-to-Port Volume



### Rotor Slot Volume

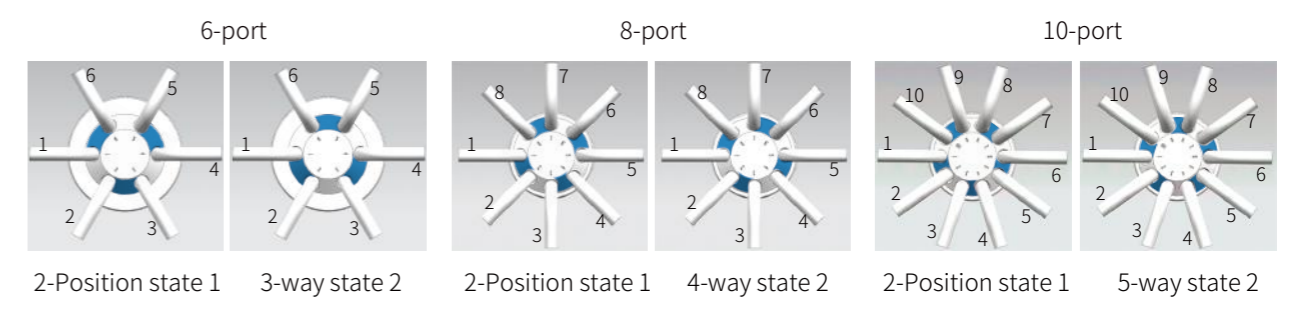


### Driver Port

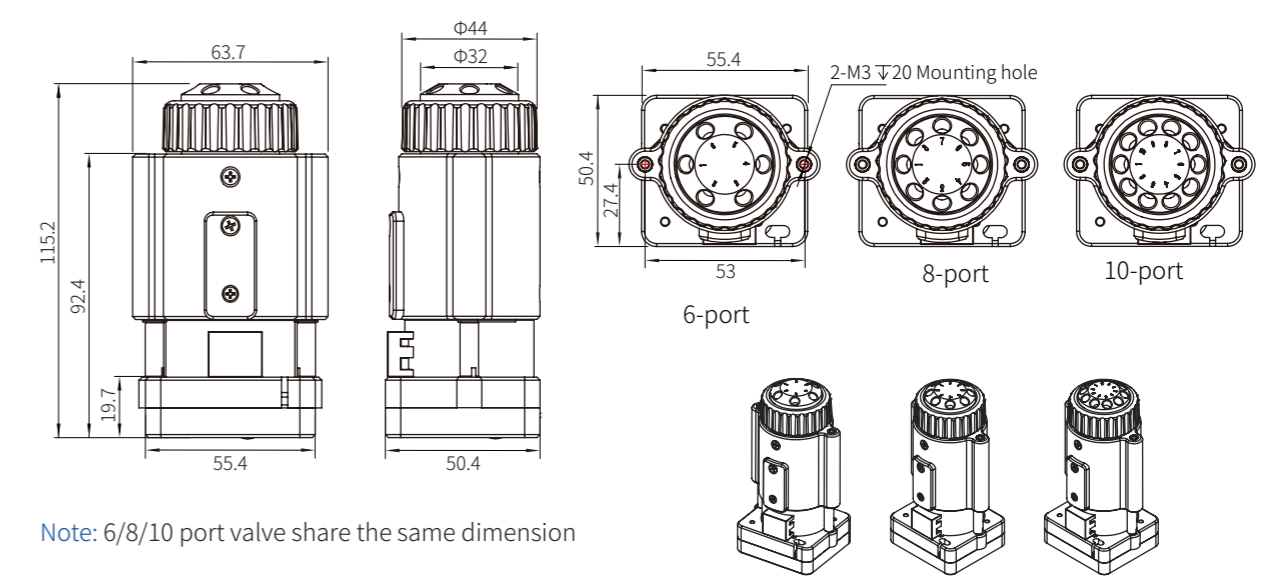


Port	Description
+	DC24V Positive
-	DC24V Negative
TX	RS232 Data Input
RX	RS232 Data Output
GND	GND
H	CAN H
L	CAN L
A	RS485 A
B	RS485 B

### Flow Configuration



### Dimension (unit: mm)



Note: 6/8/10 port valve share the same dimension